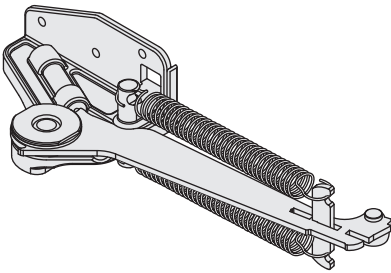




Slido F-Fold61 Push/Pull to Open

409.36.012 409.36.013



E

A 4x

B 5x

D₁

D₂

F

G 2x

H

I

1A

PUSH

1B

PULL

732.24.119

+

Slido F-Fold61 25A
Slido F-Fold61 50A

409.36.032	409.36.041
409.36.033	409.36.042
409.36.034	409.36.043
409.36.035	409.36.044
409.36.036	409.36.045
409.36.037	409.36.046
409.36.038	409.36.047
409.36.039	409.36.048
409.36.040	409.36.049

732.24.126

[WS478]

HDE 16.04.2026

i „mm“

$X = (DW / 2) - S$

i „mm“

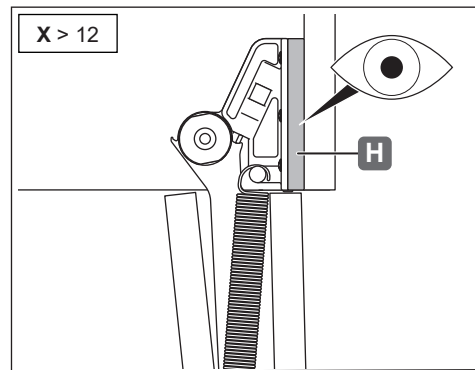
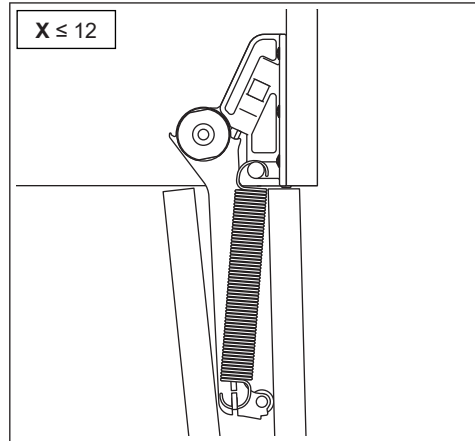
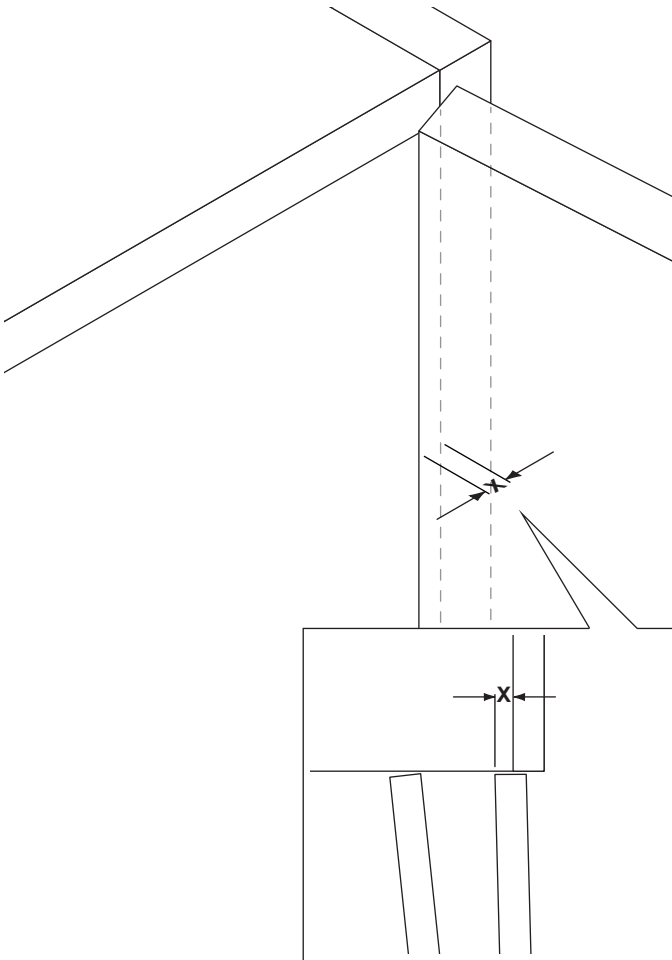
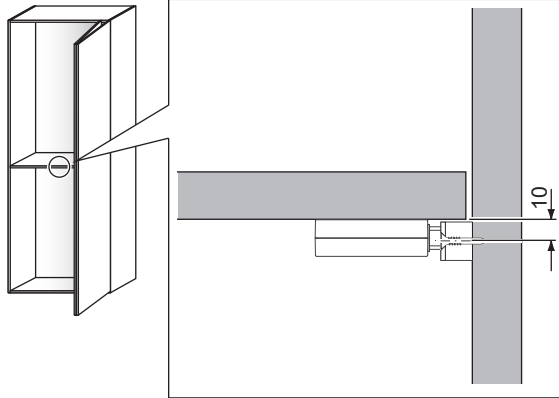
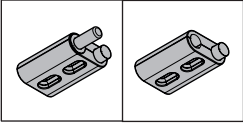
$X = (DW / 2) - S$

i „mm“

DW

i

mm



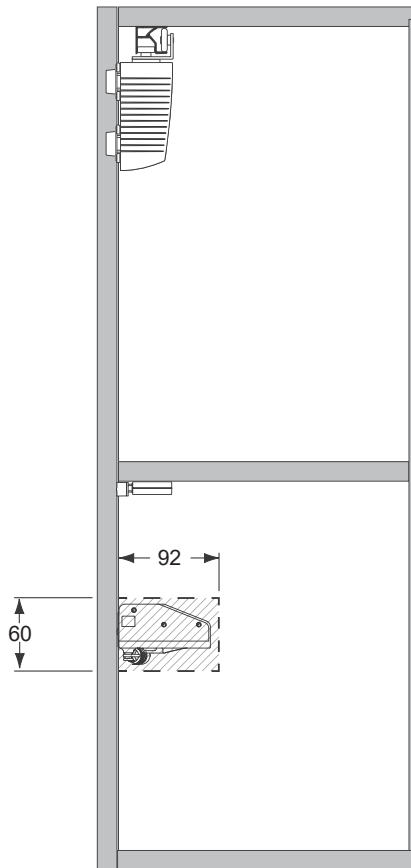
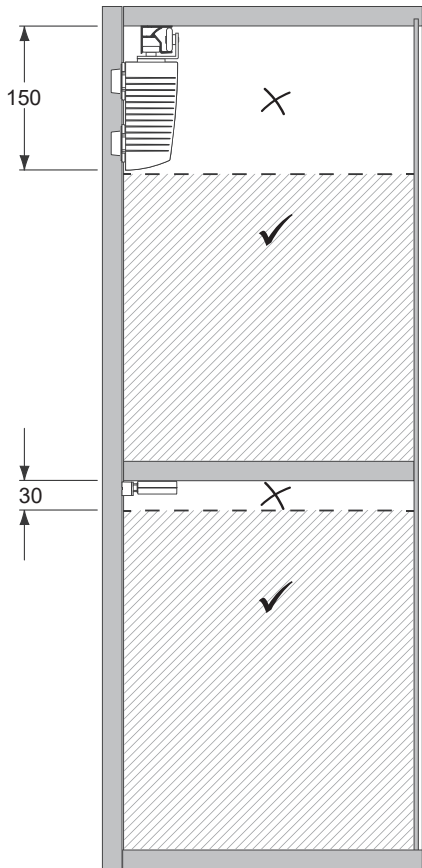
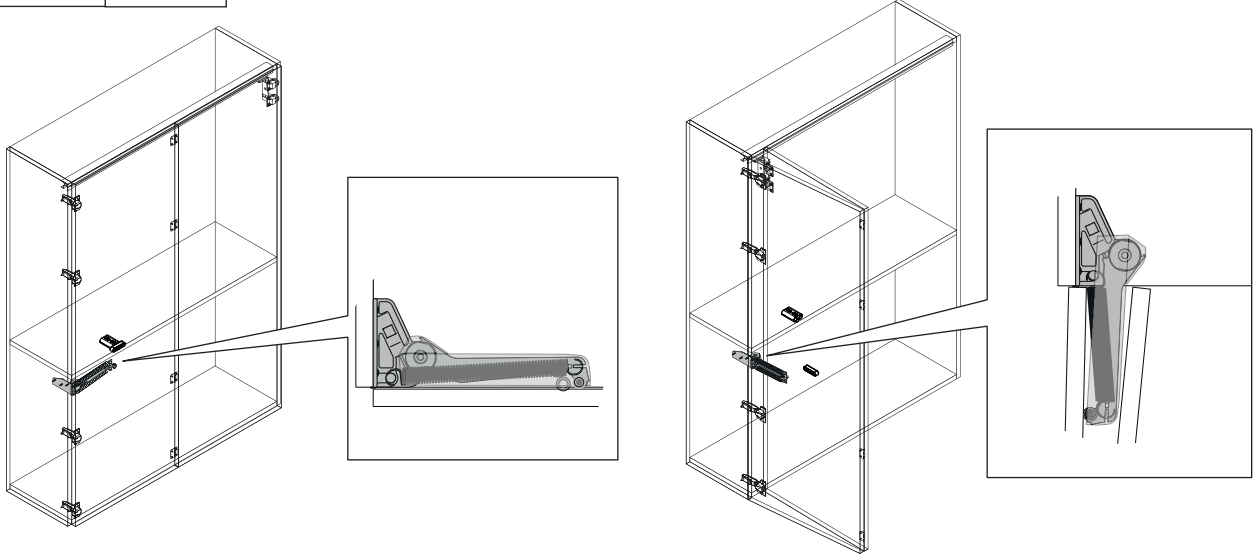
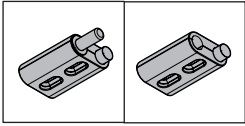
732.24.119

[WS478]

HDE 16.04.2026

i

„mm“

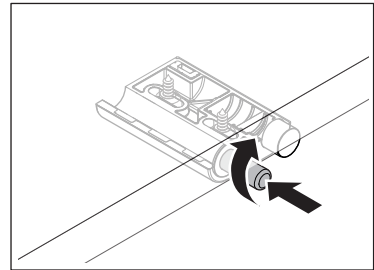
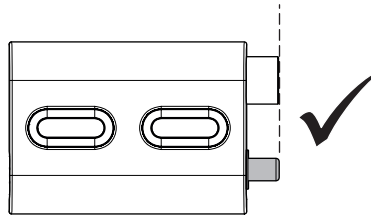
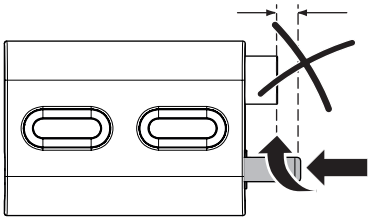
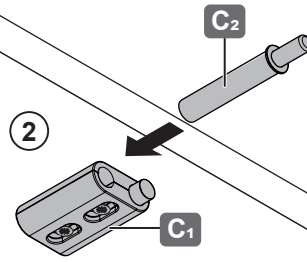
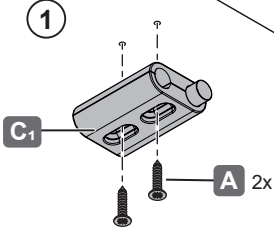
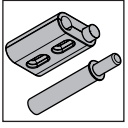


732.24.119

[WS478]

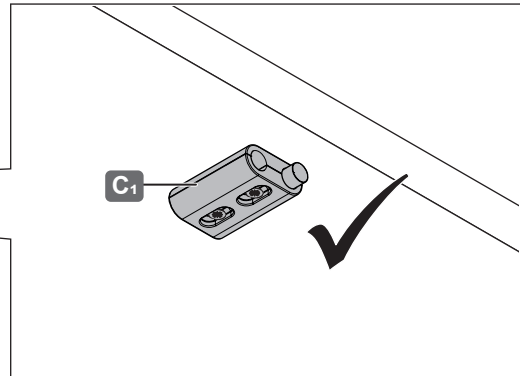
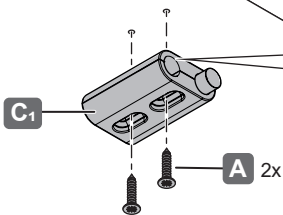
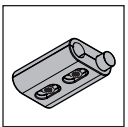
HDE 16.04.2026

1A



732.24.119

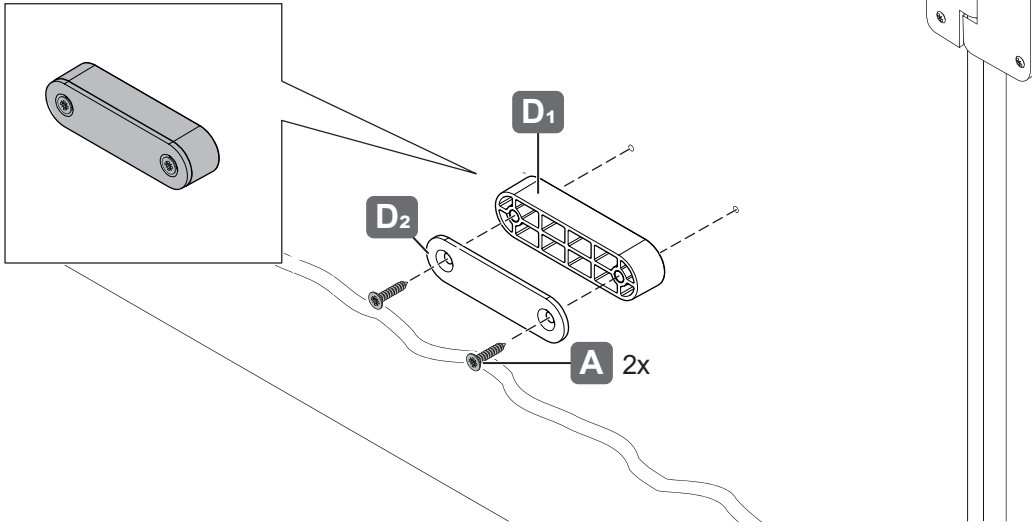
1B



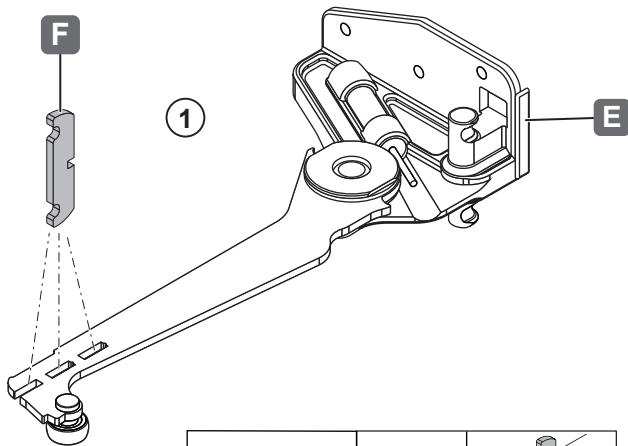
[WS478]

HDE 16.04.2026

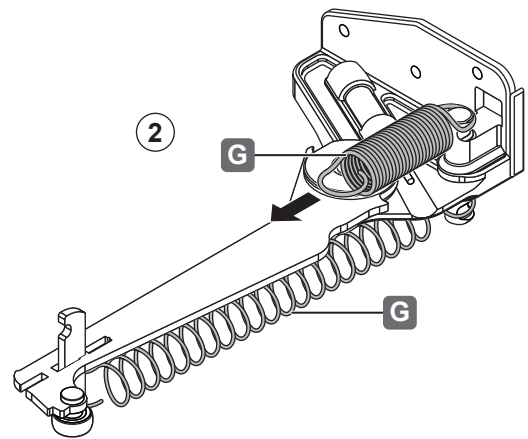
2



3



	< 15 kg	
	15 - 35 kg	
	> 35 kg	

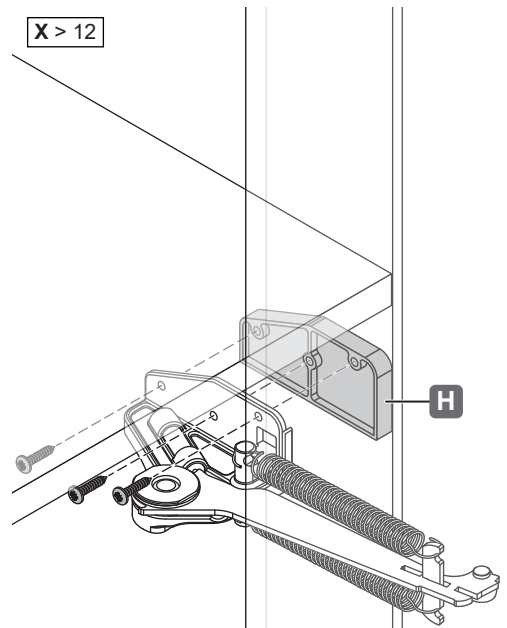
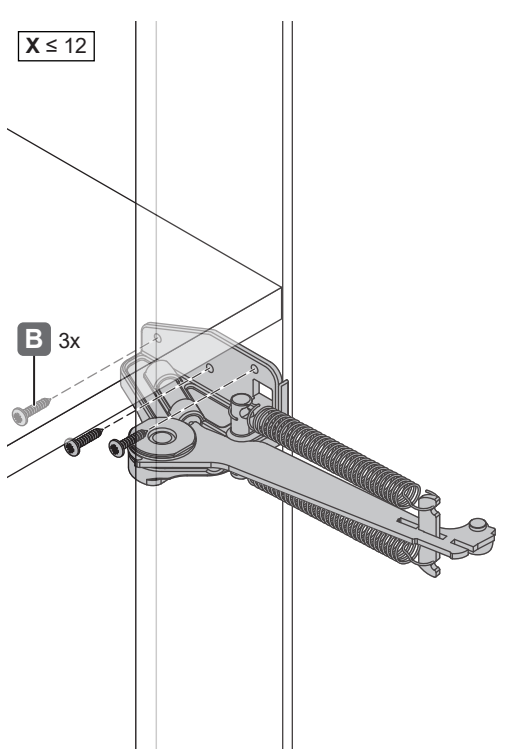
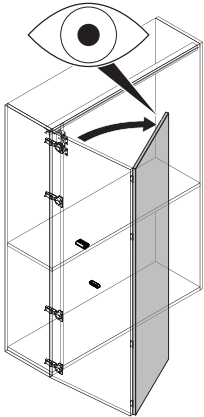


4

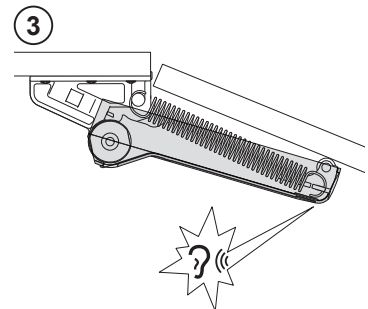
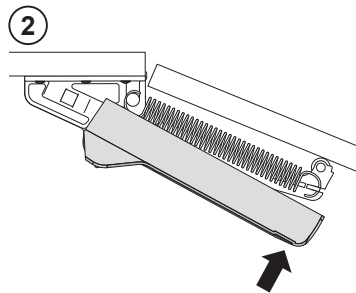
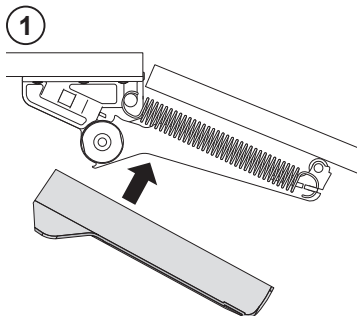
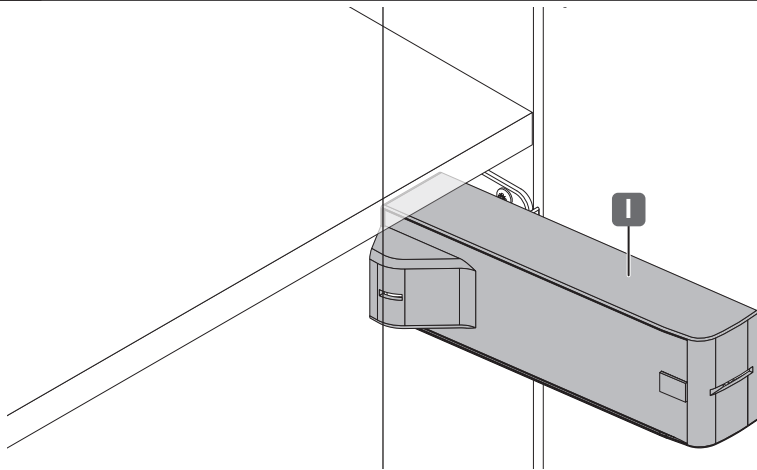


$X \leq 12$

$X > 12$



5

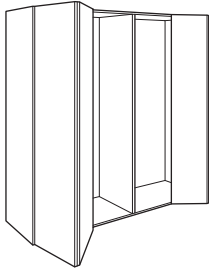


732.24.119

[WS478]

HDE 16.04.2026

i



Slido F-Fold61 25A
Slido F-Fold61 50A



732.24.126



4